

# AVK Applications

## Transportation

### AUTOMOBILES

- Prop rods
- Roof racks
- Luggage racks
- Engine compartment attachments
- Emergency brake attach
- Add-on cowling attach
- As receptacle for plastic “tree” fastener/trim panels
- Under body component attach
- Grab handle attach
- Inner door handle attach
- Active seat belt attach to door

### VANS – PICKUPS

- Side view mirror attach
- Delivery van interior storage racks
- Van conversion attachments

### PANEL VANS/DELIVERY TRUCKS

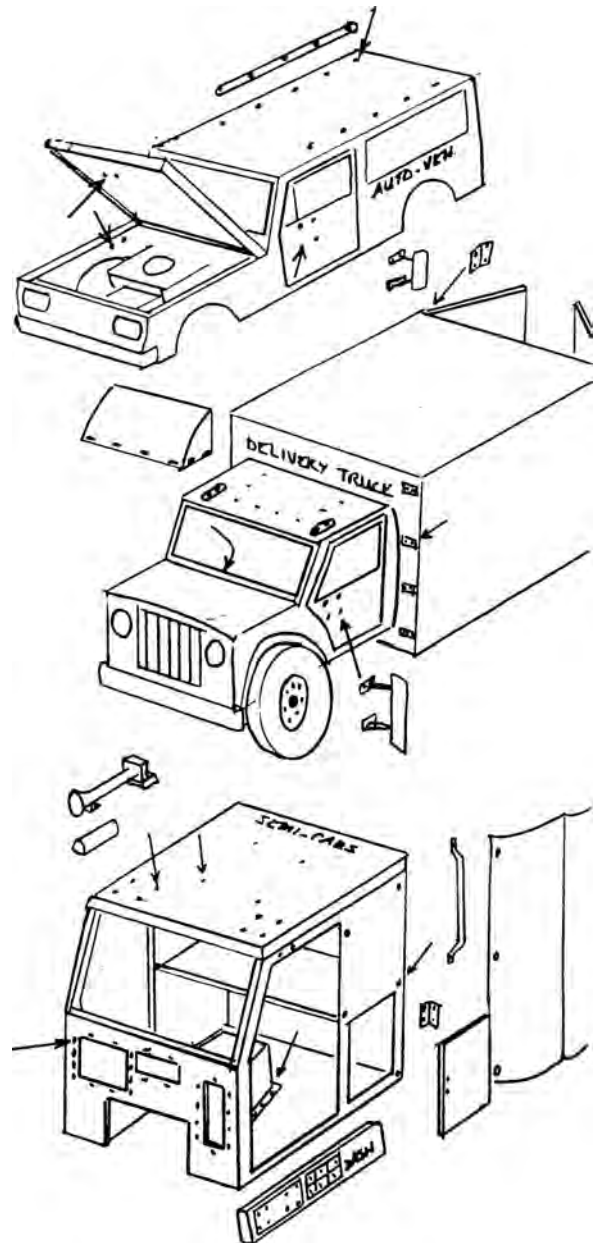
- Dashboard instrument attach
- Sideview mirror attach
- Rooftop wind deflectors
- Inner door cover panel attach
- Rear door hinge and latch attach
- Closed end inserts can be installed prior to liquid foam injection into wall cavity on refrigerated vans.

### SEMI TRUCKS

- Mirrors
- Roof lights
- Horns
- Dash instrument panel
- Firewall component attachments
- Grab rails
- Wind faring
- Wind deflectors
- Sleeper cab doors, hinges

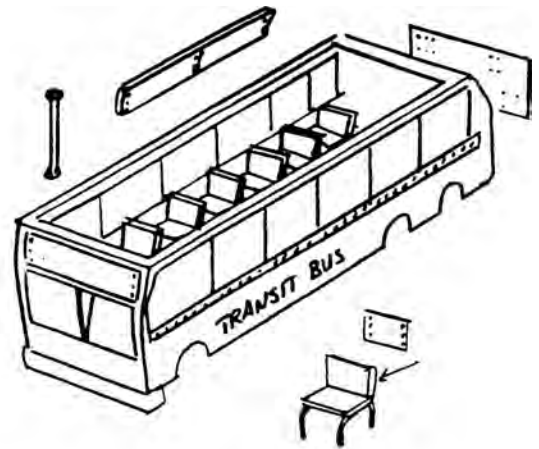
### SEMI TRAILORS

- Door hinges
- “Reefer” internal wall attachments



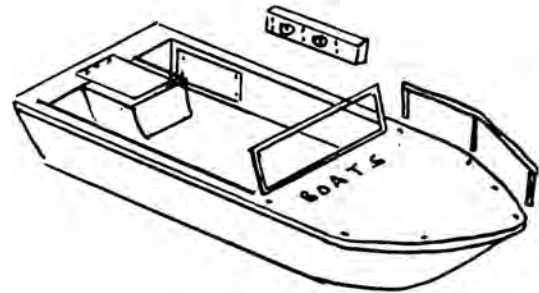
## TRANSIT BUS / RAIL CARS

- Window hinge attach
- Grab rails
- Light fixtures
- External/internal advertising sign attach
- Destination sign attach
- Door fab
- Door hinge attach
- Engine compartment component attach
- Dash instrument attach



## RV'S

- External hardware attach, ladders, etc.
- Dash instrument attach
- Engine compartment component attach



## BOATS

- Dash instrument attach
- Access & storage door hinge attach
- Horn, lights, cleat, bowrail attach

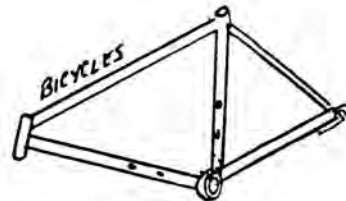
## BICYCLES

- Water bottle
- Front fender to fork

## SPECIAL VEHICLES

*Above applications apply to:*

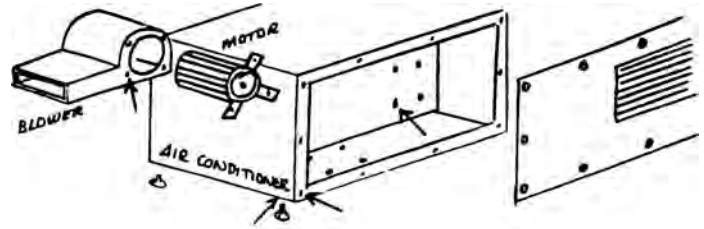
- Fire trucks
- Tree trimming trucks
- Tow trucks
- Utilities trucks
- Military trucks



# Appliances

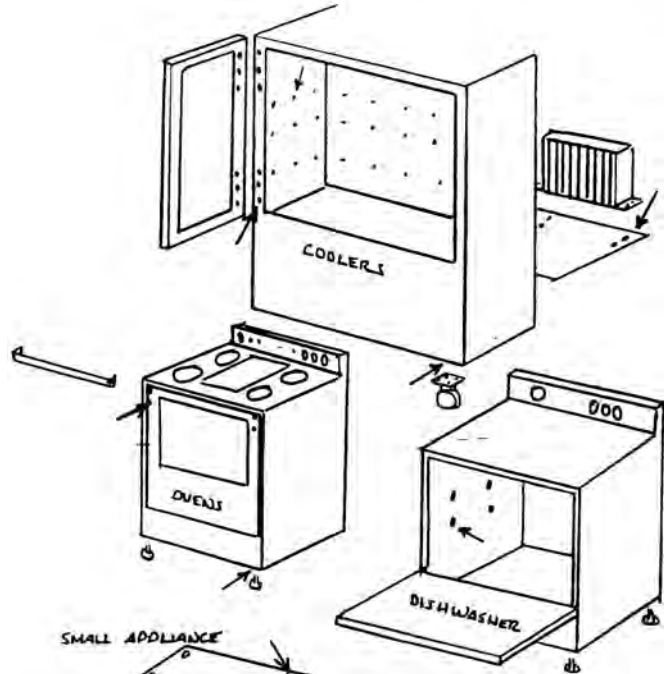
## AIR CONDITIONING

- Motor to blower housing
- Fan blade guard to housing
- Access panels to housing
- Leveling device
- Misc. components to housing



## COMMERCIAL COOLERS & FREEZERS

- Door handles, hinges, latches to frame & doors
- Interior shelving to walls
- Misc. components to housing
- Closed-end inserts can be installed prior to injection of liquid foam into wall cavities.
- Casters or leveling device to frame
- Access panels to frame



## COMMERCIAL DISHWASHERS

- Dish, bottle or plate racks to interior walls
- Misc. components to housing
- Leveling device
- Access panel to housing

## COMMERCIAL OVENS

- Door handle, hinges, latches to housing
- Interior shelving to interior
- Misc. components to housing
- Casters or leveling device

## FOOD CARTS

- Handle and casters to frame
- Shelving to frame

## FOOD PROCESSING EQUIPMENT

- Misc. components to housing
- Sheet metal to frame
- Casters or leveling device

## SMALL APPLIANCES

- Attach point to mount under counter

# Electronics / Electrical

## COMPUTERS

- Access panel attach
- Caster attach
- Leveling device
- Internal component attach
- Hardware attach
- Cooling fan attach

## ENCLOSURES

- Hardware attach
- Shelving attach
- Component attach
- Access door attach
- Cooling fan attach

## LIGHTING FIXTURES

- Lens attach
- Component attach
- Attach point

## CABLE TRAYS

- Field assembly

## BUS-BAR CABINETS

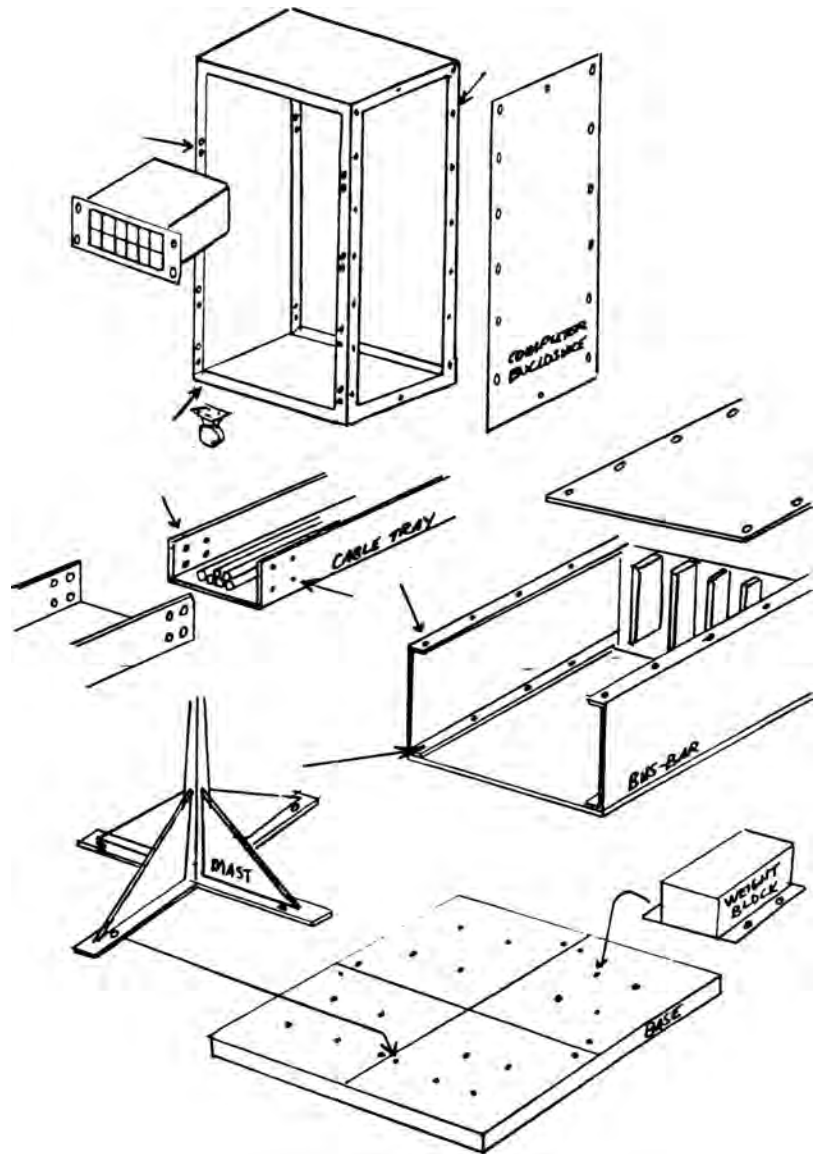
- Field assembly
- Top to cabinet sides

## TEST CHAMBERS

- Panels to frame
- Shelving to walls
- Casters & hardware
- Hinges to frame

## ANTENNA

- Field assembly
- Satellite post to base
- Pick-up device to dish
- Car phone antenna tuning screw attach



# Furniture

## TUBULAR BEDS

- "T" joint assembly
- Headboard to frame

## OFFICE CHAIRS

- Pedestal foot rest ring
- Back to frame

## PATIO CHAIRS / TABLES

- Consumer assembly
- Seat to side frame

## OFFICE STORAGE SYSTEMS

- Field assembly
- Leveling device
- Door hinge, handle attach

## OFFICE PARTITIONS

- Field assembly
- Leveling device
- Desk top support attach
- Panels to framing

## TABLES

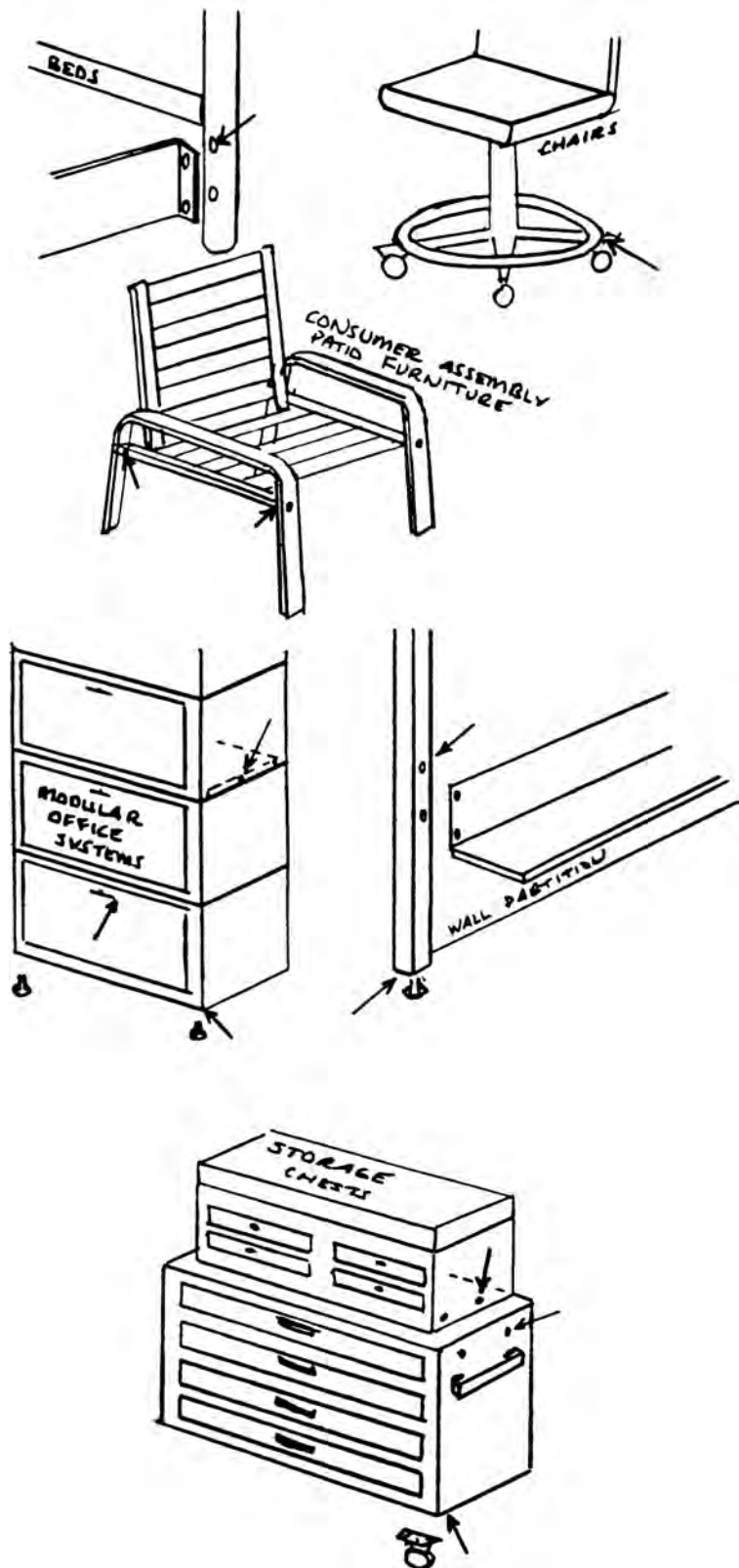
- Leveling device
- Leg to top field assembly
- Horizontal leg to leg supports

## COMPUTER ROOM FLOORING

- Panel leveling device
- Vent panel attach
- Electrical access attach

## TOOLING STORAGE CABINETS

- Handle, casters to cabinet
- Attach for stacking



# Health Care Equipment

## HOSPITAL BEDS

- Restraining rail to frame
- Mechanism levers to frame
- Components to frame

## HOSPITAL CARTS

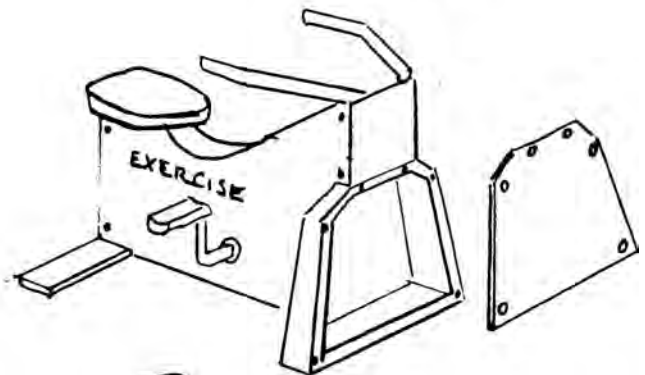
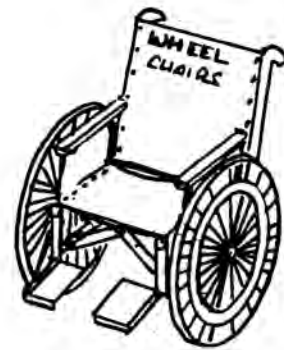
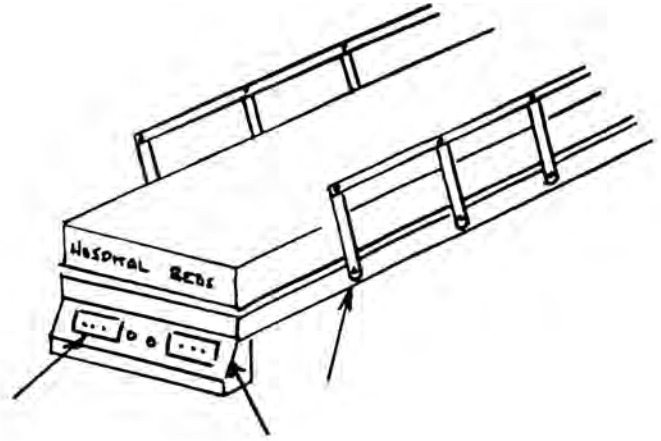
- Handles to frame
- Casters to frame

## WHEELCHAIRS

- Hand rim to wheel
- Hand rim to spacer
- Brake to frame
- Footrest to frame
- Seat and back to frame
- Armrest to frame
- Alternative to brazed bushings

## EXERCISE EQUIPMENT

- Mechanism covers to frame
- Electronic controls to frame
- Leveling device
- Consumer assembly item
- Adjustment knob



# Machinery

## CONSTRUCTION

- Lights, horn attach to cab
- External components attach
- Internal door cover panels
- Dash instrument attach

## LAWN / GARDEN

- Components to frame
- Mechanism covers
- Hinges
- Hardware
- Seat to frame

## MACHINE TOOLS

- Mechanism covers access panels
- Electronic control cabinetry

## CONVEYORS

- Field assembly
- Mechanism covers
- Height adjustment

## AIR CONVEYORS

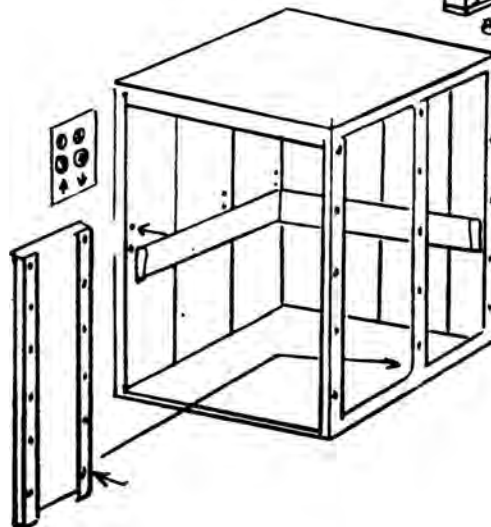
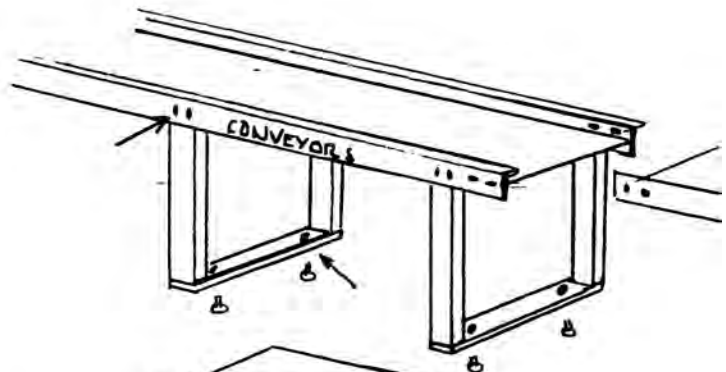
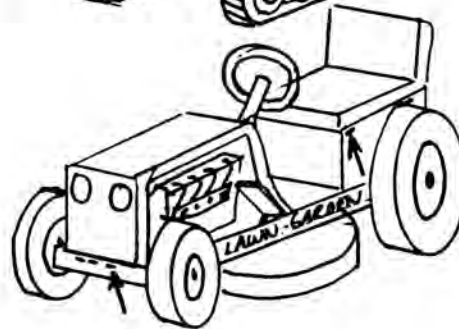
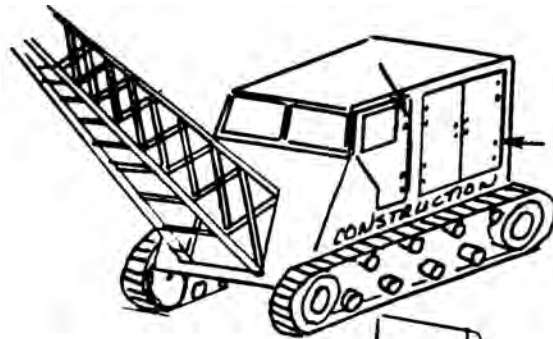
- Field assembly
- Top & bottom to sides

## ELEVATORS / ESCALATOR

- Trim panel attach
- Component attach

## FARM MACHINERY

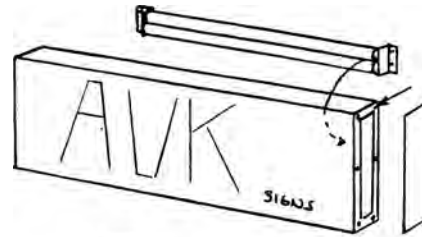
- Cab area door panels
- Instrument panels
- Exterior lighting attach



# Architecture

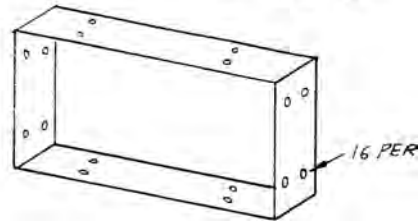
## SIGNS

- Access panels to housing
- Internal components to housing
- Mounting holes to attach



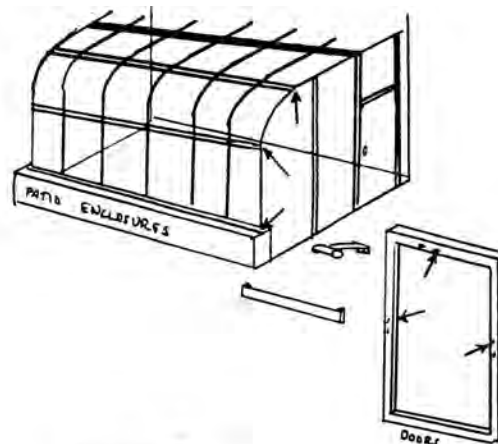
## PATIO ENCLOSURES

- Leveling device
- Joint assembly



## DOORS

- Closer attach
- Handle attach
- Storm door screen/glass attach



## GARAGE DOORS

- Misc. hardware attach
- Hinge to door
- Rivet to attach style to panel & insert for hinge

## WINDOWS

- Leveling device
- Latch & crank attach
- Screen attach

## RAILINGS

- "T" joint

## FAST FOOD WINDOWS

- Hinge and latch attach
- Closer attach

## MASS TRANSIT SHELTERS

- Field assembly

