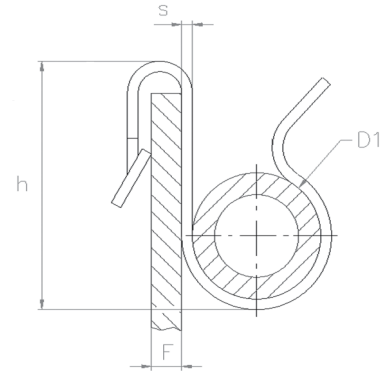


On Panel
Edges

Cable Clips - Metal Edge Mount - Tube



Metric

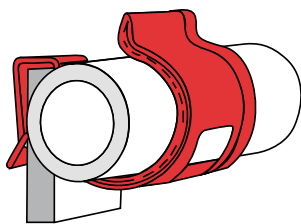
Part Number	Legacy Part Number	Panel Thickness (F)	Tube Diameter (D1)	Height (h)	Width	Material Thickness (s)
055127	055127	2.00 - 7.00	6.00 - 9.00	18.00	12.00	0.60
055129	055129	2.00 - 7.00	10.00 - 14.00	19.00	12.00	0.60
055131	055131	2.00 - 7.00	15.00 - 21.00	24.40	12.50	0.60
055133	055133	2.00 - 7.00	22.00 - 32.00	67.50	12.00	0.60
136991	C58548-051M	3.00 - 4.00	9.00 - 10.50	23.10	15.88	0.51
055128	055128	7.00 - 12.00	6.00 - 9.00	20.00	12.00	0.60
055130	055130	7.00 - 12.00	10.00 - 14.00	25.00	12.00	0.60
055132	055132	7.00 - 12.00	15.00 - 21.00	61.00	12.00	0.60
055134	055134	7.00 - 12.00	22.00 - 32.00	79.00	12.00	0.60

Most parts manufactured in spring steel

VIDEO ON CABLE CLIPS

[VIEW HERE](#)

APPLICATION INFORMATION



- Secures wire and tube by self-retaining to adjacent panel via barbs
- Simply snap onto panel edge and install cable or tube to the serviceable wire retention feature
- Designed to hold one cable, tube or wire