

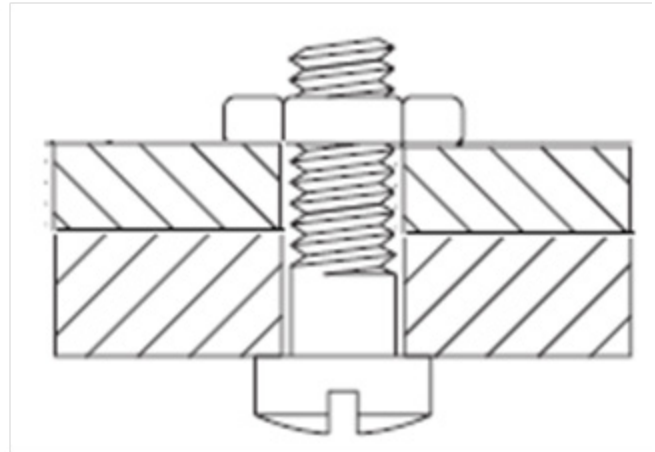
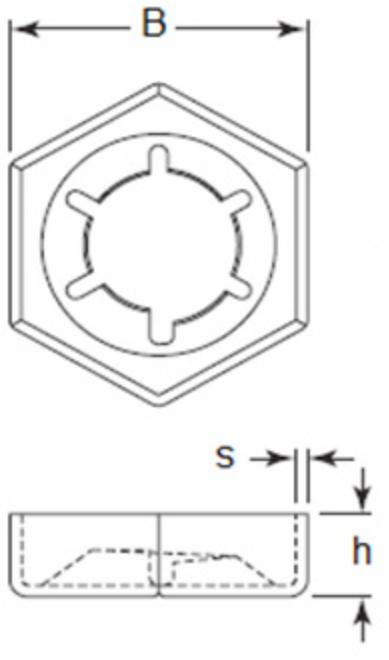
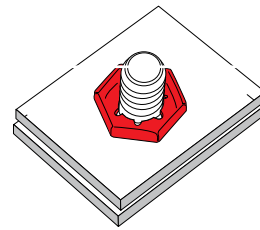
Palnut® Stamped Nuts

Threaded - Lock-Nut / Hex



APPLICATION INFORMATION

- Used with a common screw to hold panels together
- Used in place of traditional hex nuts for reduced weight or applications requiring lower torques
- Can be used in applications where screw length is restricted
- Can be used with a standard hex nut to act as a jam nut



[VIDEO ON PALNUT® STAMPED NUTS](#)

[VIEW HERE](#)



On Studs

Palnut® Stamped Nuts

Threaded - Lock-Nut / Hex

Imperial

Part Number	Legacy Part Number	Thread Specification	Drive (B)	Height (h)	Material Thickness (s)
138735	RM 632004	6-32	1/4"	0.080	0.012
138714	RF 142000	1/4-20	7/16"	0.123	0.020
138721	RF 516180	5/16-18	1/2"	0.134	0.020
138719	RF 381600	3/8-16	9/16"	0.145	0.020
138731	RL 716200	7/16-20	5/8"	0.150	0.020
138710	RE 716280	7/16-28	5/8"	0.111	0.014
138712	RF 121300	1/2-13	3/4"	0.179	0.026
138713	RF 122000	1/2-20	3/4"	0.172	0.023
138726	RF 916180	9/16-18	7/8"	0.193	0.023
138747	RR 581100	5/8-11	1"	0.224	0.034
138718	RF 341000	3/4-10	1 1/8"	0.246	0.038
138727	RH 180000	1-8	1 5/8"	0.336	0.049

Metric

Part Number	Legacy Part Number	Thread Specification	Drive (B)	Height (h)	Material Thickness (s)
135255	RF 051613	M5x1.6	13mm	3.50	0.51
138711	RF 060011	M6x1.0	11mm	3.05	0.46
138716	RF 160024	M16x2.0	24mm	5.44	0.84

Most parts manufactured in spring steel