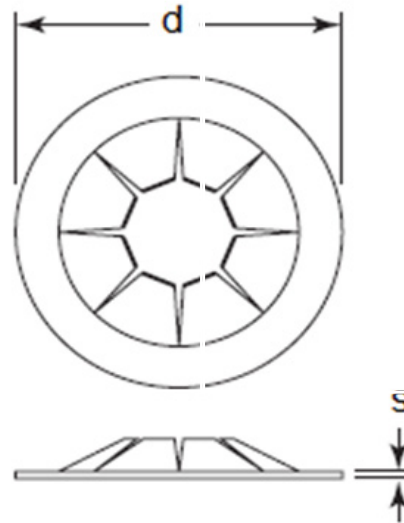
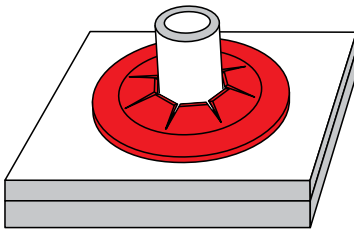


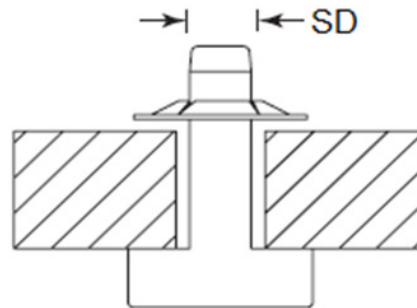
Palnut® Push-Ons Sheared Impression (PS)



APPLICATION INFORMATION



- Used over a round stud to prevent two panels from disengaging
- Feature inner teeth that slide over and bite onto the stud
- The sheared teeth within the PS style parts provide flexibility, allowing accommodation of larger stud variations
- No tools required, eliminating time-consuming assembly operations
- Low profile design allows parts to be used in areas where space is limited



VIDEO ON PALNUT® PUSH-ONS

[VIEW HERE](#)



On Studs

Palnut® Push-Ons

Sheared Impression (PS)

Imperial

Part Number	Legacy Part Number	Stud Size	Stud Diameter (SD)	Diameter (d)	Material Thickness (s)	Number of Prongs
138612	PS 062032	1/16"	.060 - .065	0.195	0.010	6
138615	PS 094032	3/32"	.091 - .097	0.195	0.010	6
138620	PS 125306	1/8"	.122 - .128	0.375	0.009	6
138619	PS 125006	1/8"	.122 - .128	0.375	0.014	6
138578	PD 156307	5/32-4mm	.153 - .158	0.437	0.010	8
138575	PD 156007	5/32-4mm	.153 - .158	0.437	0.014	8
138623	PS 188307	3/16"	.185 - .191	0.437	0.010	8
138621	PS 188007	3/16"	.185 - .191	0.437	0.014	8
138580	PD 219385	7/32"	.216 - .222	0.531	0.012	8
138579	PD 219085	7/32"	.216 - .222	0.531	0.016	8
138627	PS 250075	1/4"	.247 - .253	0.531	0.016	8
138632	PS 312310	5/16"-8mm	.310 - .316	0.625	0.015	8
138631	PS 312010	5/16"-8mm	.310 - .316	0.625	0.020	8
138636	PS 375312	3/8"	.372 - .378	0.750	0.017	8
138635	PS 375012	3/8"	.372 - .378	0.750	0.026	8
138637	PS 438014	7/16"	.436 - .441	0.875	0.030	8
138629	PS 250385	1/4"	.247 - .253	0.531	0.012	8
138638	PS 500016	1/2"	.497 - .503	1.000	0.035	8
138691	PZ 002015	5/8"	.622 - .628	1.000	0.016	8

Metric

Part Number	Legacy Part Number	Stud Size	Stud Diameter (SD)	Diameter (d)	Material Thickness (s)	Number of Prongs
138606	PS 050311	5mm	4.92 - 5.05	11.10	0.25	8
138604	PS 050011	5mm	4.92 - 5.05	11.10	0.36	8
138610	PS 060313	6mm	5.92 - 6.05	13.50	0.25	8
138608	PS 060013	6mm	5.92 - 6.05	13.50	0.41	8
138617	PS 100319	10mm	9.92 - 10.05	19.00	0.38	8
138618	PS 120022	12mm	11.92 - 12.05	22.10	0.86	8

Most parts manufactured in spring steel