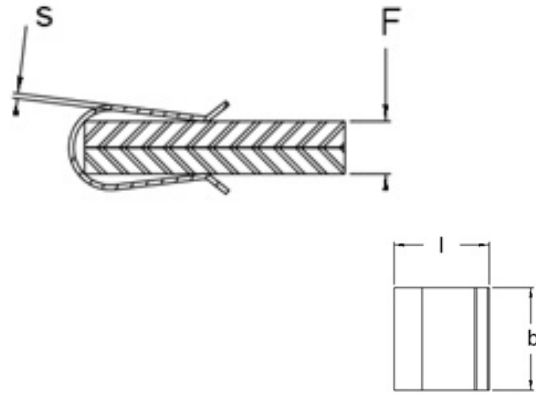
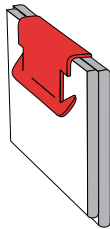


Panel Clips

U-Clips



APPLICATION INFORMATION



- Used for attaching two panels together
- Slide easily over metal, plastic or wooden panels providing firm, vibration-free assembly
- Self-sufficient - requiring no holes, screws, welds, rivets or other secondary fastening devices
- Turned-up lead lips on one or both legs ease assembly over the panel edges
- Some are equipped with barbs for positive retention of the panel
- No tools required
- Insertion and retention performance is dependent on component attributes and material

DESIGN VARIATIONS



(C) SQUARE BACK



(D) BARB ONE LEG



(E) BARBS BOTH LEGS

- A - Straight legs, no lead lips
- B - One straight leg, one lead lip
- C - Square back to ease insertion
- D - Barb on one leg to increase retention
- E - Barbs on legs to increase retention



On Panel Edges

Panel Clips

U-Clips

Imperial

Part Number	Legacy Part Number	Panel Thickness (F)	Width (b)	Length (l)	Material Thickness (s)	Design Variation
136804	C25341-014	0.035 - 0.045	0.380	0.200	0.014	ACE
136794	C23928-014	0.046 - 0.056	0.380	0.200	0.014	ACE
137537	D20285-017	0.050 - 0.100	0.500	0.340	0.017	BE
137549	D27091-014	0.115 - 0.185	0.500	0.420	0.014	E
137577	D43806-014	0.170 - 0.205	0.500	0.430	0.014	E
136895	C45931-014	0.245 - 0.255	0.500	0.360	0.014	CE
136933	C57065-014	0.270 - 0.320	0.500	0.265	0.014	CD
136924	C56147-014	0.320 - 0.340	0.500	0.270	0.014	CE

Metric

Part Number	Legacy Part Number	Panel Thickness (F)	Width (b)	Length (l)	Material Thickness (s)	Design Variation
011847	011847	0.75 - 2.00	13.00	4.70	0.30	-
013031	013031	1.00 - 2.20	20.00	8.75	0.50	-
054712	054712	1.00 - 2.50	10.00	9.70	0.40	-
013414	013414	1.50 - 3.50	20.00	13.00	0.60	-
013750	013750	3.00 - 4.50	25.00	12.00	0.45	-
053328	053328	4.00 - 5.00	12.70	8.70	0.50	-

Most parts manufactured in spring steel



advancecomponents.com