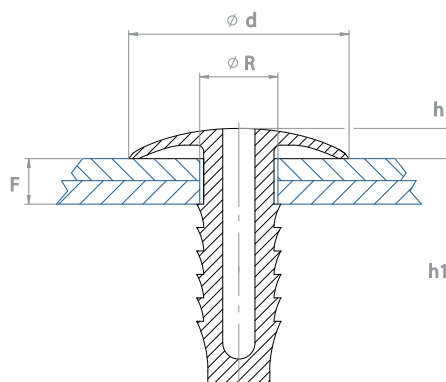




In Panel
Holes

Push-Pins



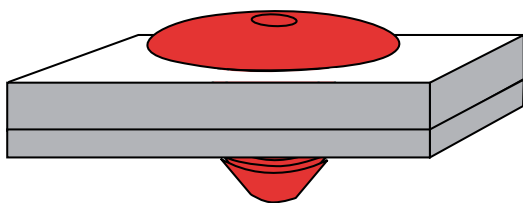
Metric

| Part Number | Legacy Part Number | Panel Thickness (F) | Hole Diameter (R) | Head Diameter (d) | Height (h1) | Head Height (h) |
|-------------|--------------------|---------------------|-------------------|-------------------|-------------|-----------------|
| 137038 | C61546AG-028 | 0.035 - 0.100 | 0.182 - 0.192 | 0.420 | 0.475 | 0.100 |
| 137044 | C61782AA-060 | 0.060 - 0.100 | 0.182 - 0.192 | 0.445 | 0.595 | 0.062 |
| 137040 | C61622AG-130 | 0.130 - 0.180 | 0.182 - 0.192 | 0.420 | 0.555 | 0.100 |
| 137043 | C61758AG-170 | 0.170 - 0.234 | 0.182 - 0.192 | 0.445 | 0.595 | 0.062 |
| 137035 | C61375AG-170 | 0.170 - 0.234 | 0.182 - 0.192 | 0.420 | 0.595 | 0.050 |

VIDEO ON PLASTIC PANEL CLIPS

[VIEW HERE](#)

APPLICATION INFORMATION



- Used for light retention in panels
- No tools required
- Corrosion-proof, shock and vibration resistant
- Not suitable for high shear forces
- Ideally suited for simplified assembly or products shipped knocked-down for consumer assembly