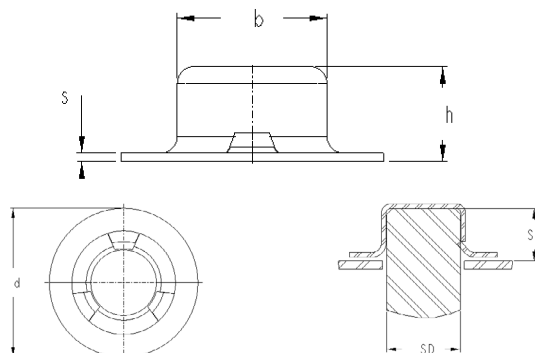


On Studs

Palnut® Decorative Push-Ons One-Piece Decorative Top Hats - All Metal



Imperial

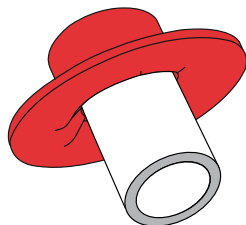
Part Number	Replaces Part Number	Stud Diameter (SD)	Outside Diameter (d)	Height (h)	Hat Diameter (b)	Material Thickness (s)	Shaft Height (SH)
228911	PW 250008	1/4"	0.500	0.205	0.289	0.018	0.100 - 0.175
230982	PZ 001725	5/16"-8mm	0.562	0.286	0.358	0.020	0.100 - 0.250
228873	PW 375012	3/8"	0.750	0.270	0.431	0.025	0.100 - 0.250
138682	PW 438014	7/16"	0.875	0.328	0.504	0.030	0.150 - 0.270
138683	PW 500015	1/2"	0.937	0.328	0.567	0.031	0.150 - 0.270
238010	PW 625019	5/8"	1.188	0.413	0.693	0.031	0.200 - 0.375

Metric

Part Number	Replaces Part Number	Stud Diameter (SD)	Outside Diameter (d)	Height (h)	Hat Diameter (b)	Material Thickness (s)	Shaft Height (SH)
229047	PW 060014	6mm	14.28	5.25	7.00	0.45	2.50 - 4.75
229049	PW 100019	10mm	19.05	6.86	11.33	0.61	3.00 - 6.25
138673	PW 120022	12mm	22.23	8.33	13.74	0.81	3.75 - 6.75

Most parts manufactured in spring steel

APPLICATION INFORMATION



- Used over shafts, studs or rods to hide unattractive stud ends
- Combines the reliability of spring steel with various decorative coatings for applications where the fastener will remain visible
- Provides dependable vibration resistant assembly
- Insertion and retention to stud is dependent on stud size and material
- Commonly used on miscellaneous household items that feature axles such as lawn carts and rolling garbage cans

VIDEO ON PALNUT® PUSH-ONS

VIEW HERE