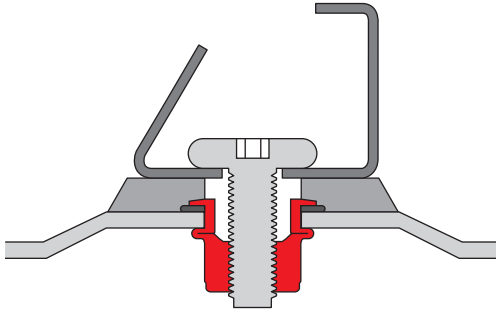




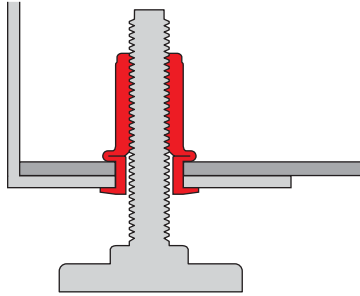
TYPICAL AVK APPLICATIONS

E-COAT/PAINTED SHEET METAL



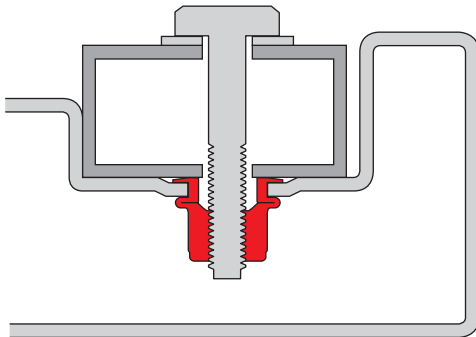
VEHICLE ROOF — LUGGAGE RACK RAIL

FORMED SHEET METAL



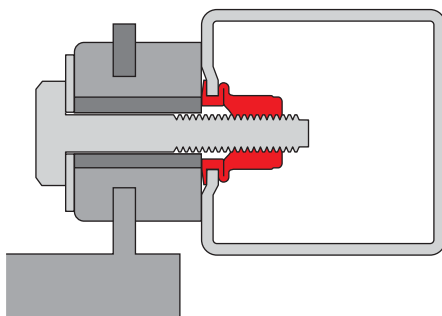
OFFICE FURNITURE — LEG LEVELING

BLOW OR ROTATIONAL MOLDED PLASTICS



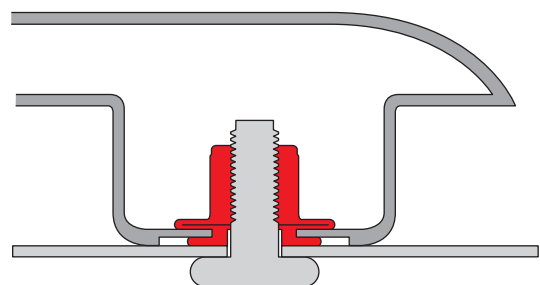
FARM EQUIPMENT — GUARD TO TUBULAR FRAME

HYDROFORMED STEEL TUBING



VEHICLE — RADIATOR ATTACHMENT

BLOW MOLDED PLASTIC



AUTOMOBILES — SPOILER TO TRUNK

- **SOLAR PANELS & SYSTEMS**
Assembly of solar panel frame extrusions to solar panels • Telescoping tube assembly, and tracking sheet metal enclosures
- **MEDICAL EQUIPMENT**
Wheelchair Hand Rims • Wheelchair Seats/ Backs
• Handles/Casters to Carts • Components to Hospital Beds • Aluminum Walker Assembly
- **MILITARY GROUND SUPPORT**
Ducts/Wireways to Shelters • Electronics to Shelters • Missile Container Assembly
• Antenna Assembly • Hardware to Shelters
- **MILITARY VEHICLES**
Side Mirrors to Body • Armor to Body
• Bulletproof Glass to Body • Instruments to Dash • Cargo Hold Down to Floor Pan
- **OFFICE FURNITURE**
Modular Unit Stacking • Hardware/Hinges to Unit • Leg Leveling • Knock-Down Assembly • Partition Electrical Components
- **RECREATION**
Playground Equipment Assembly • Bicycle Frame Water Bottle Attachment • Basketball Pole Assembly • Golf Cart Roof Supports to Body • Consumer Assembly of Toys
- **REFRIGERATION**
Hinges to Doors/Cabinet • Handles to Doors
• Shelf Brackets to Wall • Compressor to Base Pan • Leg Leveling
- **RV INDUSTRY**
Instruments to Boat Dash • Bow Rails to Deck • Components to Snowmobile • Components to Motorcycles • RV Awning Assembly
- **TRUCKS/TRAILERS**
Mirrors/Lights to Cab • Grab Handles to Cab • Firewall Attachments • Instruments to Dash • Exhaust/Wind Deflectors



TYPICAL AVK APPLICATIONS

● AEROSPACE

Galley Equipment Casters to Frame • Aircraft Seating Footrests to Frame • Aircraft Seat Trays to Frame • Bulkhead Partition Mounting Brackets • Shipping Container Hinges and Latches to Frame

● APPLIANCES

Refrigerator Hinge to Cabinet • Refrigerator Handle to Door • Leg Leveler • Components to Cabinet • Under the Counter Attachments

● ARCHITECTURAL

Vinyl Window Hardware to Frame • Aluminum Door Hardware to Frame • Threshold Sweeps to Frame • Aluminum Railing "T" Joints • Patio Enclosure Construction

● AUTO/SPORT-UTILITY VEHICLES

Luggage Racks to Roof • Spoilers to Trunk Lids • Option Controls to Dash Panel • Under Hood Option Items • Grab Handles • Air Bag Attachments

● ELECTRONICS CABINERY

Hardware to Cabinet • Hinges to Cabinet • Leg Levelers • Components to Frame • Lifting Anchors

● EXERCISE EQUIPMENT

Stationary Bike Floor Supports to Frame • Treadmill Controls to Frame • Sheet Metal Covers over Motors • Weightlifting Frame Assembly • Electronics to Unit

● LAWN/GARDEN FARM IMPLEMENT

Mirrors/Lights to Cab • Components to Decking • Guards to Framing • Seats to Framing • Access Panels to Frame

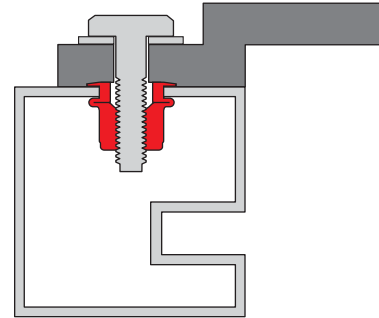
● FURNITURE

Aluminum Furniture Assembly • Leg Leveling • Brass Headboards to Frame • Patio Table Assembly • Tubular Bed Frame Assembly

● HEATING/AIR CONDITIONING

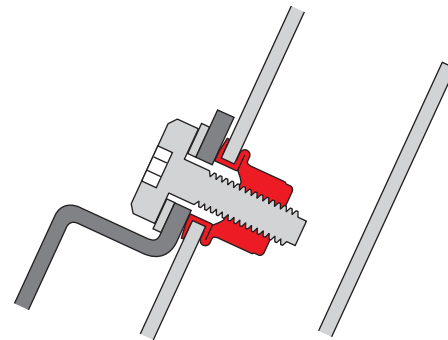
Compressors to Base Pans • Access Doors to Cabinet • Motors to Blower Housing • Blower Housing to Unit • Burner Assembly to Unit

ALUMINUM EXTRUSIONS



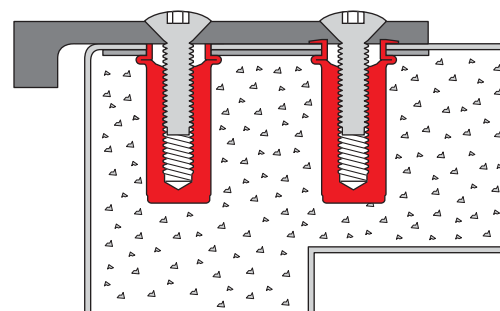
ENTRY DOORS — PUSH BARS TO DOOR FRAME

POWDER COATED STEEL TUBE



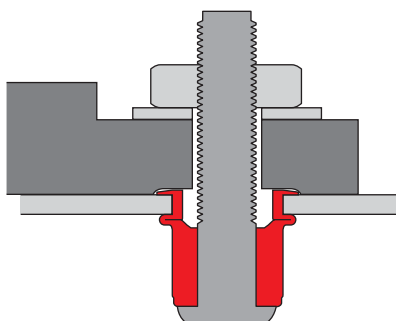
BICYCLE FRAME — WATER BOTTLE BRACKET

PREPAINTED FOAM CORE SHEET METAL



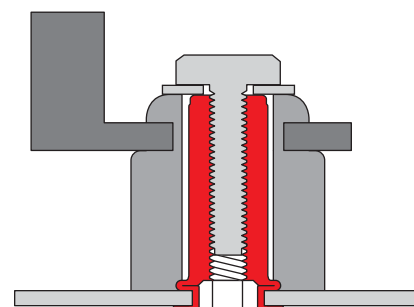
REFRIGERATION EQUIPMENT — HINGES TO CABINET

E-COAT/PAINTED SHEET METAL



VEHICLE DASH PANEL — ABS MODULE MOUNTING

GALVANIZED SHEET METAL



AIR CONDITIONER BASE PAN — COMPRESSOR MOUNTING