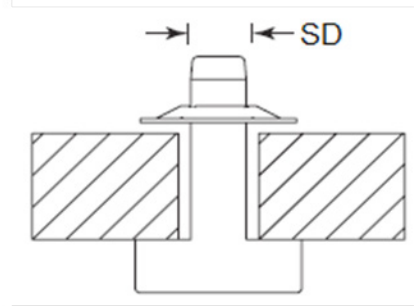
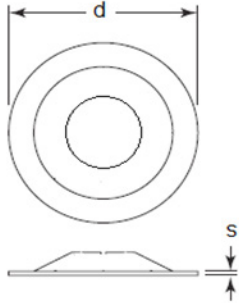
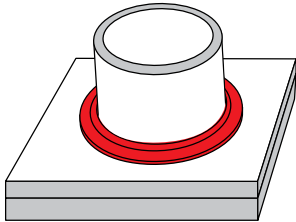


Palnut® Push-Ons

High-Strength Retaining Rings (Thinwalls) (PG)



APPLICATION INFORMATION



- Used on a smooth, unthreaded shaft or stud
- Designed with a rigid interior, making them suited for high retention applications
- Replace high cost parts such as snap or bearing rings and cotter pins
- Many made from stainless steel, providing long-life and corrosion resistance
- Low-profile design makes them ideal for applications where space is limited
- Commonly used on conveyor roller systems, small hand tools, toys and electronics



VIDEO ON PALNUT® PUSH-ONS

[VIEW HERE](#)



On Studs

Palnut® Push-Ons

High-Strength Retaining Rings (Thinwalls) (PG)

Imperial

Part Number	Legacy Part Number	Stud Diameter (SD)	Diameter (d)	Material Thickness (s)
138893	T99220SS-128	0.059 - 0.065	0.150	0.006
138939	T99220SS-93	0.075 - 0.081	0.178	0.006
138918	T99220SS-60	0.090 - 0.096	0.218	0.008
138931	T99220SS-83	0.114 - 0.120	0.245	0.010
138904	T99220SS-167	0.122 - 0.128	0.194	0.012
138942	T99220SS-96	0.122 - 0.128	0.245	0.008
138924	T99220SS-74	0.122 - 0.128	0.325	0.006
138926	T99220SS-77	0.127 - 0.133	0.245	0.006
138901	T99220SS-153	0.140 - 0.146	0.260	0.008
138920	T99220SS-66	0.153 - 0.159	0.260	0.008
138869	T99220-162	0.159 - 0.165	0.437	0.014
138922	T99220SS-68	0.185 - 0.191	0.312	0.006
138891	T99220SS-126	0.185 - 0.191	0.375	0.012
138910	T99220SS-196	0.234 - 0.239	0.531	0.017
138585	PG 237043	0.237 - 0.243	0.437	0.022
138929	T99220SS-80	0.247 - 0.253	0.312	0.006
138913	T99220SS-259	0.247 - 0.253	0.437	0.020
138868	T99220-119	0.247 - 0.253	0.625	0.022
138897	T99220SS-137	0.247 - 0.253	0.625	0.010
138870	T99220-171	0.247 - 0.253	0.750	0.025
138888	T99220SS-118	0.297 - 0.303	0.500	0.020
138919	T99220SS-64	0.310 - 0.316	0.437	0.010
138867	T99220-112	0.310 - 0.316	0.625	0.022
138896	T99220SS-132	0.337 - 0.346	0.562	0.010
138906	T99220SS-173	0.369 - 0.375	0.500	0.020
138937	T99220SS-91	0.372 - 0.378	0.625	0.010
138890	T99220SS-122	0.427 - 0.433	0.625	0.010
138905	T99220SS-172	0.434 - 0.439	0.575	0.010
138872	T99220-193	0.492 - 0.498	0.750	0.010
138889	T99220SS-120	0.497 - 0.503	0.750	0.010
136447	136447	0.666 - 0.672	1.000	0.034
136446	136446	0.981 - 0.987	1.438	0.040
138875	T99220-208	0.997 - 1.003	1.750	0.018
140860	PG 317545	1.247 - 1.253	1.772	0.043

Metric

Part Number	Legacy Part Number	Stud Diameter (SD)	Diameter (d)	Material Thickness (s)
138915	T99220SS-261	7.95 - 7.99	12.60	0.51
138874	T99220-201	11.98 - 12.05	19.90	1.06
138912	T99220SS-258	12.60 - 12.60	19.05	0.56
138873	T99220-200	13.98 - 14.02	21.90	1.06
138877	T99220-223	14.92 - 15.05	23.05	0.51
239864	239864	19.93 - 20.00	26.16	1.19
138883	T99220SS-100	15.77 - 15.90	19.05	0.38
138584	PG 190025	19.00 - 19.10	25.40	0.64
225547	225547	19.93 - 20.00	29.46	1.00
138880	T99220-264	24.93 - 25.00	34.00	1.20
140776	T99220-266	29.93 - 30.00	39.91	1.20
138881	T99220-265	34.93 - 35.00	46.00	1.20
239270	239270	39.93 - 40.00	50.80	1.20

Part numbers in bold italics indicate manufactured in stainless steel
 Remainder of parts manufactured in spring steel
 Note: Ability to manufacture up to 50mm / 2 inch stud diameter - contact for pricing

Speed Nuts® & Palnuts®