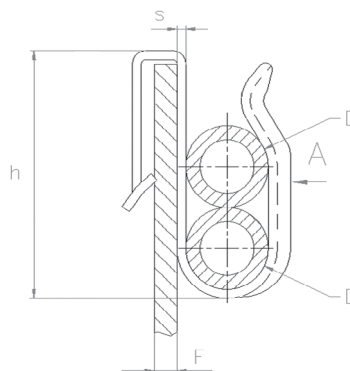




On Panel
Edges

Cable Clips - Metal Edge Mount - Bundle



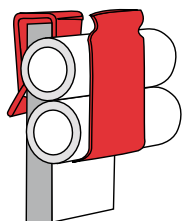
Imperial

Part Number	Legacy Part Number	Panel Thickness (F)	Tube Diameter (D)	Max # of Tubes	Height (h)	Width	Material Thickness (s)
136888	C43641-017	0.031 - 0.082	0.120 - 0.130	9	0.710	0.375	0.017
136880	C41892-017	0.032 - 0.052	0.185 - 0.195	2	0.710	0.375	0.017
136896	C46088-017	0.040 - 0.080	0.245 - 0.255	1	0.800	0.565	0.017
137604	D98281-017	0.054 - 0.089	0.085 - 0.095	7	0.695	0.375	0.017
136893	C45065-017	0.060 - 0.089	0.151 - 0.161	3	0.670	0.375	0.017
136797	C24837-017	0.115 - 0.135	0.120 - 0.130	9	0.720	0.375	0.017

Most parts manufactured in spring steel



APPLICATION INFORMATION



- Secures hoses and wire bundles by self-retaining to adjacent panels via barbs
- Simply snap onto panel edge and install cables or wires to the serviceable wire retention feature