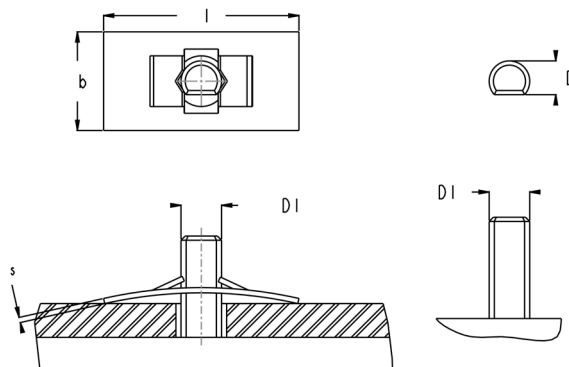


On Studs

Palnut® Push-Ons Rectangular - Removable



Imperial

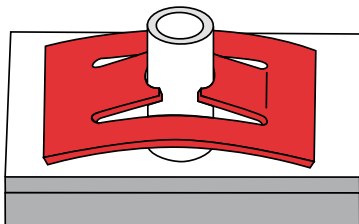
Part Number	Legacy Part Number	Stud Diameter (D1)	Alt. Stud Diameter (D)	Length (l)	Width (b)	Material Thickness (s)
136668	C12002-012	3/32"	0.069 - 0.079	0.450	0.230	0.012
137517	D12003-012	1/8"	0.095 - 0.105	0.580	0.310	0.012
136669	C12005-017	3/16"	0.145 - 0.155	0.630	0.380	0.017
136670	C12007-017	1/4"	0.195 - 0.205	0.620	0.440	0.017
136671	C12008-020	5/16"-8mm	0.255 - 0.245	0.690	0.500	0.02

Most parts manufactured in spring steel



advancecomponents.com 972-446-5500

APPLICATION INFORMATION



- Used on smooth, unthreaded shafts to hold panels together
- No special tools required, eliminating time-consuming assembly operations
- Can be removed on a D-shaped stud by twisting the part 90 degrees
- For light duty applications
- Low profile design makes them ideal for applications where space is limited