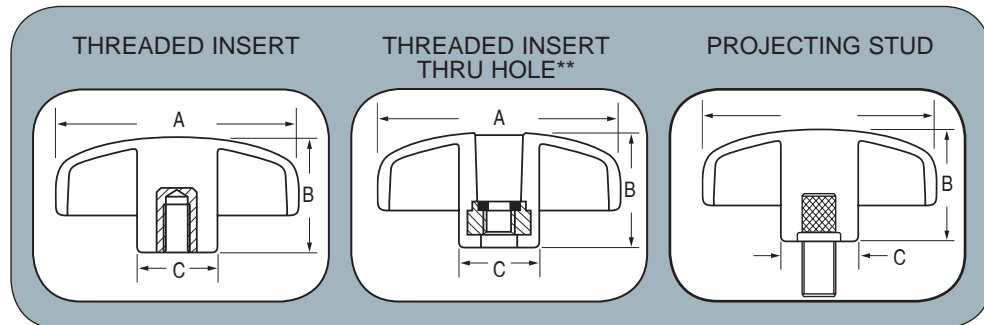
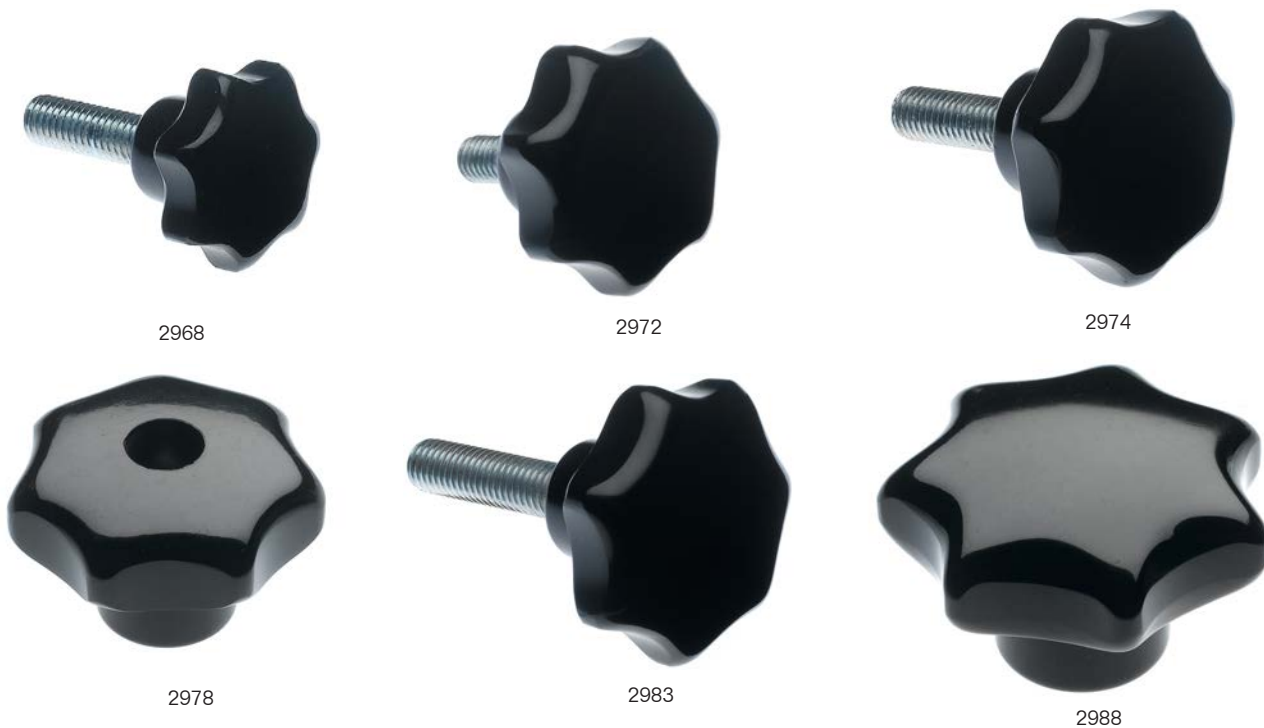




# Seven Lobe - Metric Sizes

Davies now offers metric seven lobe knobs with standard inserts! These new knobs offer a comfortable ergonomic grip and provide exceptional strength and grip.



Material Type	Part No.	A Dia.	B Current Part Height	C Part Height Capab. Hub Dia.	Threaded Female Insert								Threaded Male Stud*																			
					8-32	10-24	10-32	1/4-20	1/4-28	5/16-18	5/16-24	3/8-16	3/8-24	1-2/13	1/2-20	8-32	10-24	10-32	1/4-20	1/4-28	5/16-18	5/16-24	3/8-16	3/8-24	1-2/13	1/2-20						
					TS	2968	25	16	NA	12				■																		
TS	2972	32	32	NA	14				■		■															■		■				
TS	2974	40	25	NA	18				■		■		■													■		■		■		
TS	2978	50	32	NA	22				■		■		■														■		■			
TS	2983	63	40	NA	26						■		■															■			■	
TS	2988	80	50	NA	35						■		■															■			■	

\* For parts with male studs, LENGTH projecting below knob must be specified.

■ Currently Manufacture/Tooled  
▲ Could Manufacture/Requires Tooling

TS Thermoset  
TP Thermoplastic

\*\* Threaded Thru-Hole Available, Call for a quotation