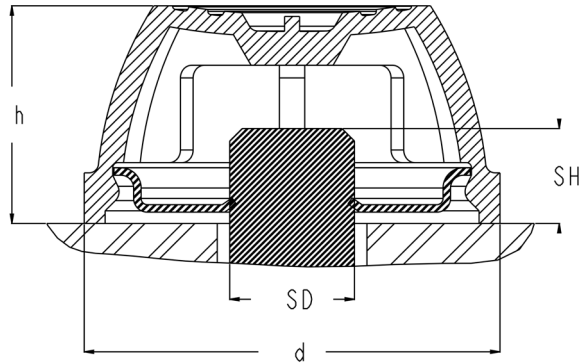




On Studs

Palnut® Decorative Push-Ons Two-Piece Decorative Caps

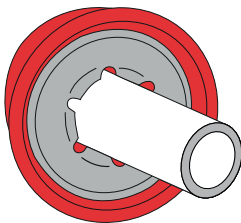


Imperial

Part Number	Legacy Part Number	Description	Stud Diameter (SD)	Diameter (d)	Height (h)	Material Thickness	Shaft Height (SH)	# of Prongs
138123	KPS 125105	Small Cap	1/8"	0.656	0.344	0.012	0.150 - 0.250	3
138124	KPS 156105	Small Cap	5/32-4mm	0.656	0.344	0.012	0.150 - 0.250	3
138254	KPS 188105	Small Cap	3/16"	0.656	0.344	0.012	0.150 - 0.250	3
138255	KPS 250105	Small Cap	1/4"	0.656	0.344	0.012	0.150 - 0.250	4
138256	KPS 250135	Medium Cap	1/4"	0.835	0.440	0.015	0.175 - 0.350	4
138257	KPS 312135	Medium Cap	5/16"-8mm	0.835	0.440	0.015	0.175 - 0.350	6
138258	KPS 375135	Medium Cap	3/8"	0.835	0.440	0.015	0.175 - 0.350	6
138260	KPS 438135	Medium Cap	7/16"	0.835	0.440	0.015	0.175 - 0.350	6
138259	KPS 375210	Large Cap	3/8"	1.300	0.645	0.017	0.200 - 0.525	6
138262	KPS 438210	Large Cap	7/16"	1.300	0.645	0.017	0.200 - 0.525	6
138263	KPS 500210	Large Cap	1/2"	1.300	0.645	0.017	0.200 - 0.525	6
138264	KPS 625210	Large Cap	5/8"	1.300	0.645	0.017	0.200 - 0.525	6
138265	KPS 750210	Large Cap	3/4"-19mm	1.300	0.645	0.017	0.200 - 0.525	6

High-density polyethylene cap (Phthalate-free and lead-free)
Insert manufactured in high carbon spring steel
Metric sizes available upon request

APPLICATION INFORMATION



- Used over shafts, studs or rods to hide unattractive stud ends
- Combines the reliability of spring steel with an aesthetically appealing cap
- Provides dependable, vibration resistant assembly
- Insertion and retention to stud is dependent on stud size and material
- Commonly used on miscellaneous household items that feature axles such as lawn carts and rolling garbage cans
- Available in black, red or white and can be customized to meet a specific application

AC advancecomponents.com 972-446-5500