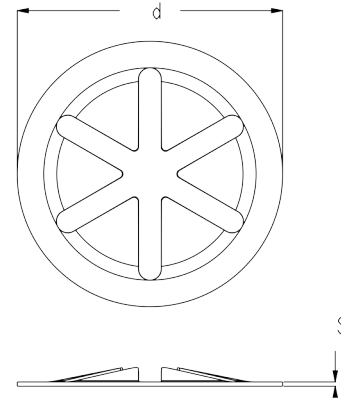




On Studs

Palnut® Push-Ons V-Shaped Notched Impression (PV)



Imperial

Part Number	Legacy Part Number	Stud Size	Stud Diameter Range	Diameter (d)	Material Thickness (s)
138662	PV 250015	1/4"	0.247 - 0.253	0.937	0.015
138663	PV 312015	5/16"-8mm	0.310 - 0.316	0.937	0.015
138664	PV 375015	3/8"	0.372 - 0.378	0.937	0.015
138665	PV 438015	7/16"	0.435 - 0.441	0.937	0.015
138666	PV 500015	1/2"	0.497 - 0.503	0.937	0.015

Metric

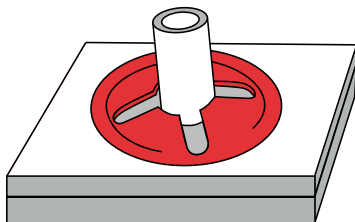
Part Number	Legacy Part Number	Stud Size	Stud Diameter Range	Diameter (d)	Material Thickness (s)
138661	PV 050024	5mm	4.92 - 5.05	23.80	0.38
138690	PZ 002011	6mm	5.92 - 6.05	23.80	0.38
138667	PV 880018	11/32"	8.72 - 8.85	18.00	0.50

Most parts manufactured in spring steel



advancecomponents.com 972-446-5500

APPLICATION INFORMATION



- Used over a round stud to prevent two panels from disengaging
- Feature inner teeth that slide over and bite onto the stud
- The notched teeth within PV style parts provide flexibility, allowing accommodation of larger stud variations and reduce insertion efforts
- No tools required, eliminating time-consuming assembly operations
- Low profile design allows parts to be used in areas where space is limited