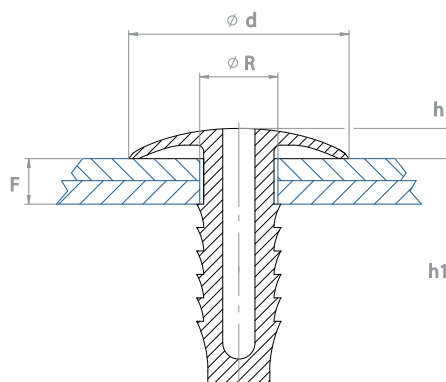




In Panel  
Holes

## Push-Pins



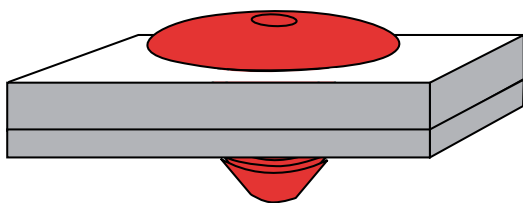
Metric

Part Number	Legacy Part Number	Panel Thickness (F)	Hole Diameter (R)	Head Diameter (d)	Height (h1)	Head Height (h)
137038	C61546AG-028	0.035 - 0.100	0.182 - 0.192	0.420	0.475	0.100
137044	C61782AA-060	0.060 - 0.100	0.182 - 0.192	0.445	0.595	0.062
137040	C61622AG-130	0.130 - 0.180	0.182 - 0.192	0.420	0.555	0.100
137043	C61758AG-170	0.170 - 0.234	0.182 - 0.192	0.445	0.595	0.062
137035	C61375AG-170	0.170 - 0.234	0.182 - 0.192	0.420	0.595	0.050

For material information see page 7



### APPLICATION INFORMATION



- Used for light retention in panels
- No tools required
- Corrosion-proof, shock and vibration resistant
- Not suitable for high shear forces
- Ideally suited for simplified assembly or products shipped knocked-down for consumer assembly