

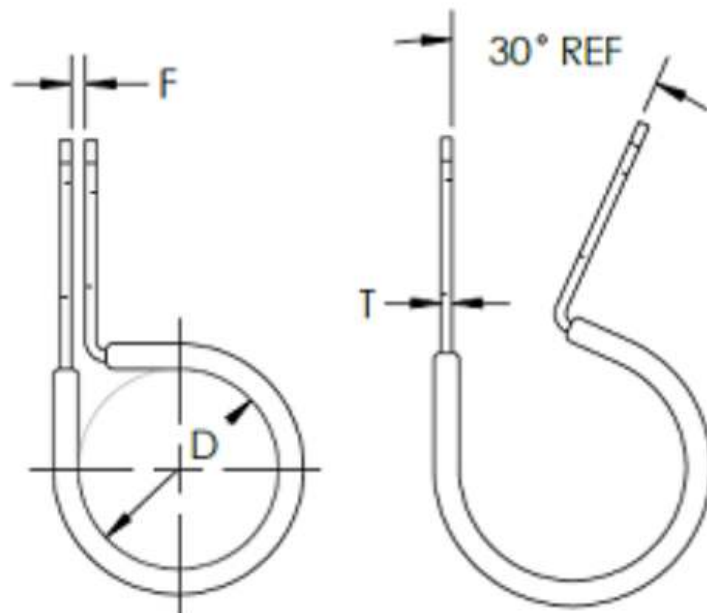


ADVANCE BASICS

P CLAMPS

P Clamps or Tube Clamps reduce wear on soft materials, such as tubing and cable. clamps are nonconductive and are noncorrosive. They surround lines completely while holding them close to the mounting surface. Polyethylene coated clamps resist moisture and UV rays, making them good for outdoor use.

- Easy installation
- Cost effective, durable
- Available in an assortment of sizes
- Available in steel and aluminum, plain and dipped
- Lightweight



ADVANCE
COMPONENTS

advancecomponents.com
974-446-5500